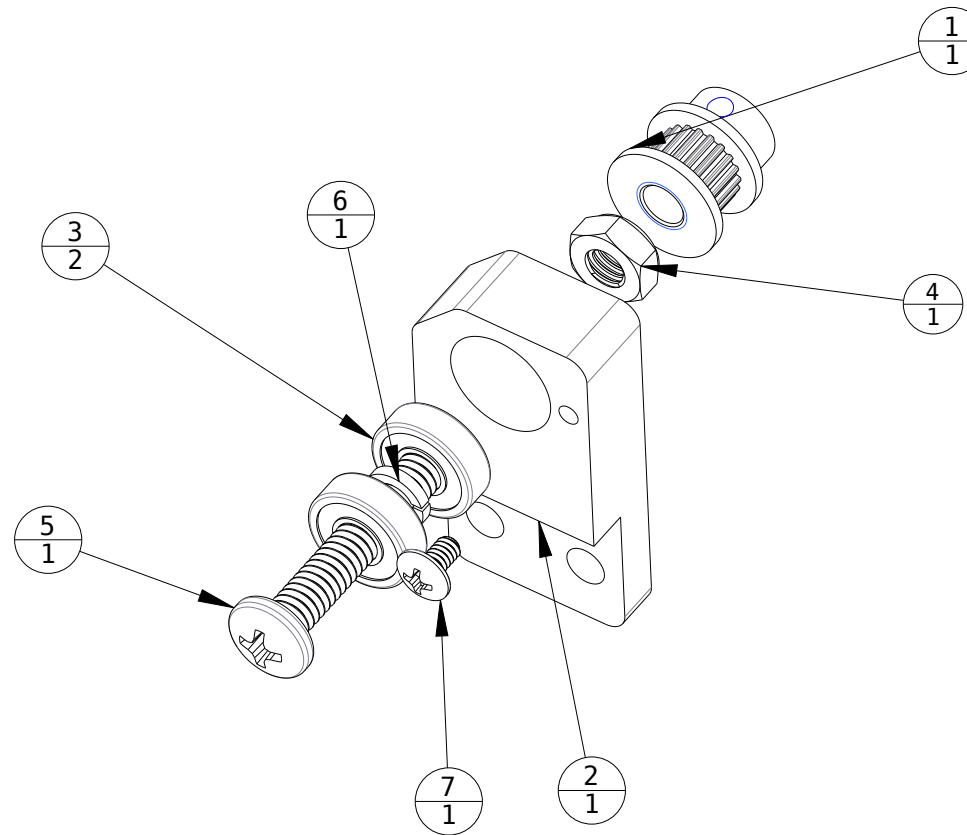



ITEM	PART NUMBER	QTY	DESCRIPTION
1	A6T16-020DF2508	1	Pulley MXL 20 Tooth 1/4 Shaft
2	B17014	1	Bearing Bracket (Y)
3	BEARING_25	2	BEARING .25 .625 .190
4	HN2520NLT	1	Hex Nut #1/4-20 Nylon Locking Thin
5	PHMS252025S	1	Pan Head Mach Screw #1/4-20 x 1-1/2
6	SLW25SS	1	Split Lock Washer #1/4
7	THMS063204S	1	Truss Head Mach Screw #6-32 x 1/4

REVISIONS			
SYM	DESCRIPTION	BY	DATE
1	ORIGINAL	BJD	1/21/11
2	Revised	BJD	2/23/11
3	Updated Hardware	BJD	2/26/11
4	Revised View	BJD	5/24/11



The work is licensed under a Creative Commons Attribution-Share Alike 3.0 License

DRAWN	BJD	1/21/11	<h2>Idler Pulley Assy</h2>	 <a href="http://www.buildlog.net">www.buildlog.net</a>
CHECKER				
MECH. ENGR.				
ELEC. ENGR.				
PROJ. ENGR.				
CHIEF ENGR.			SCALE	<b>B30012</b> SHEET 1 OF 1