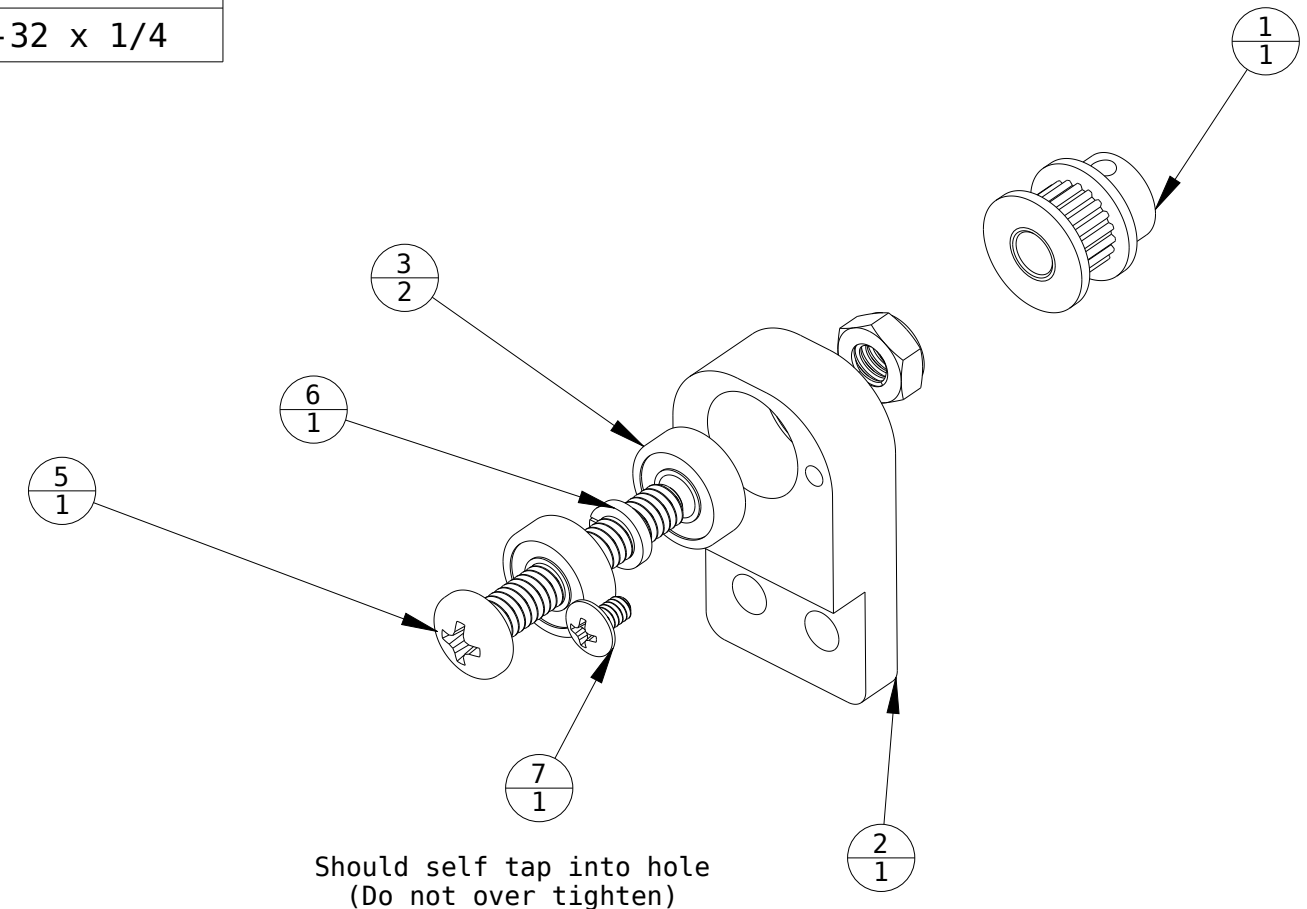


ITEM	PART NUMBER	QTY	DESCRIPTION
1	A6T16-020DF2508	1	Pulley MXL 20 Tooth 1/4 Shaft
2	B17006	1	Bearing Bracket
3	BEARING_25	2	BEARING .25 .625 .190
4	HN2520NLT	1	Hex Nut #1/4-20 Nylon Locking Thin
5	PHMS252025S	1	Pan Head Mach Screw #1/4-20 x 1-1/2
6	SLW25SS	1	Split Lock Washer #1/4
7	THMS063204S	1	Truss Head Mach Screw #6-32 x 1/4

REVISIONS			
SYM	DESCRIPTION	BY	DATE
1	ORIGINAL	BJD	2/23/11
2	Adjusted Hardware	BJD	3/3/11
3	Updated view	BJD	5/24/11



The work is licensed under a Creative Commons Attribute-Share Alike 3.0 License

DRAWN	BJD	2/23/11
CHECKER		
MECH. ENGR.		
ELEC. ENGR.		
PROJ. ENGR.		
CHIEF ENGR.		

Idler Pulley Assy

SCALE



www.buildlog.net

**B30029**

SHEET 1 OF 1